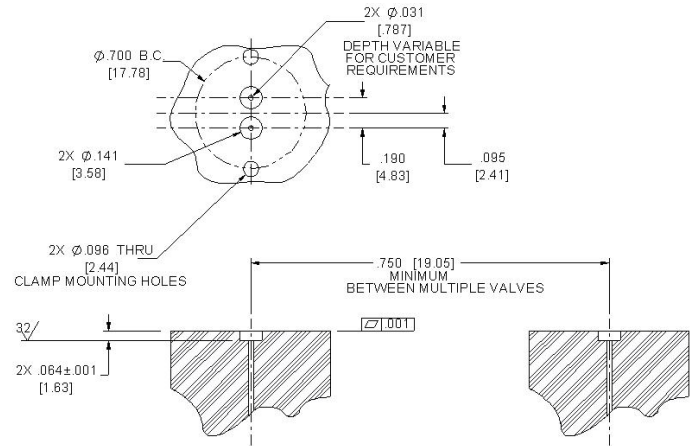


Valve illustrated with clamp mount and pin terminal style.

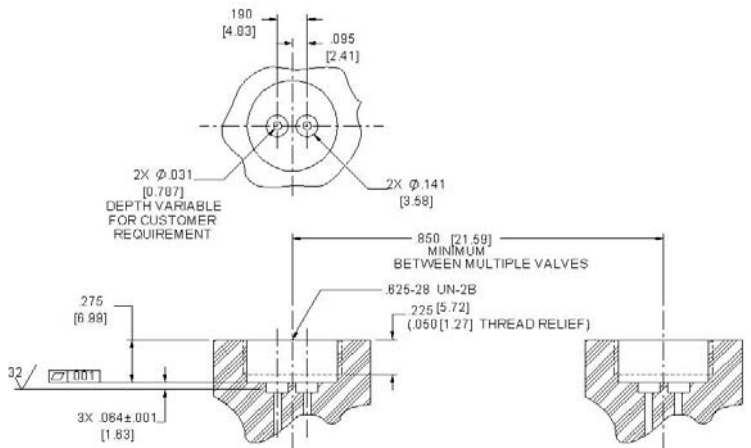
2-Way Mini-Solenoid Valve

Product Data Sheet

The 2-Way Mini-Solenoid Valve is a DC actuated isolation valve design that allows the user to switch a single flow path on or off. The valve consists of an inlet and outlet port, which is in the closed position when the valve is de-energized.



INCHES AND [MILLIMETERS]
***Clamp Style Valve Mount Detail



INCHES AND [MILLIMETERS]
Screw Style Valve Mount Detail

Physical

- Height 1.64" (without pins)
- Housing Diameter: .505"
- Mass: 23.8g

Environmental

- Operating Temperature of 10° to 60°C
- Operating Humidity of 5 to 95% RH, non-condensing at 60° C
- Storage Temperature of -25° to 85° C
- WEEE & RoHS compliant

Mechanical

- Orifice Diameter: .030"
- Internal Volume: 35.8ul
- Zero Dead Volume: No un-swept paths
- Rated Pressure: -Vacuum to 30psi
- Mount Style: Manifold Clamp / Knurled Screw
- Standard Pneumatic Flow: 1.4 L/MIN (3 SCFH) minimum at -Vacuum.
- Initial Open Response Time: @30psi < 100ms @-Vacuum <500ms
- Typical response time: <50ms @ 30psi 2Hz
- Duty Cycle: 50% Sugg. Max Energize: 300s rated voltage.
- Valve life expectancy may vary with application. Consult Kloehn Engineering for additional information.

Interface and Power

24-Volt Option

Current: .07 amps

Power: 1.7 watts

Resistance: 338 ohms

Holding Voltage: 12-Volts

Terminals: 18" Wires or Pins

12-Volt Option

Current: .14 amps

Power: 1.7 watts

Resistance: 84 ohms

Holding Voltage: 6-Volts

Terminals: 18" Wires or Bronze Pins

Chemical

- Elastomer Diaphragm Options: EPDM, FKM, FFKM.
- Wetted Materials: Peek, Selected Diaphragm Material

* Standard valve specifications may be adjusted to desired operating parameters upon request (special).

** Vacuum pressure: -25inHg maximum at 2750ft elevation (1psia max).

***Mounting hardware is not supplied with standard 2-way Clamp Mount Design. Recommend 2-56 UNC-2B or M2 x0.4mm Recommended 35 micron filtration

Standard 2-Way Mini-solenoid Valve Selection Chart

Kloehn Part Number	Mount Design	Coil Terminal	Coil Voltage	Diaphragm
80547	Knurled Screw Design	Wires	24 Volts	EPDM
80551				FKM
80543				FFKM
80546			12 Volts	EPDM
80550				FKM
80542				FFKM
80545		Pins	24 Volts	EPDM
80549				FKM
80541				FFKM
80544			12 Volts	EPDM
80548				FKM
80540				FFKM
80559	Manifold Clamp Design	Wires	24 Volts	EPDM
80563				FKM
80555				FFKM
80558			12 Volts	EPDM
80562				FKM
80554				FFKM
80557		Pins	24 Volts	EPDM
80561				FKM
80553				FFKM
80556			12 Volts	EPDM
80560				FKM
80552				FFKM

