

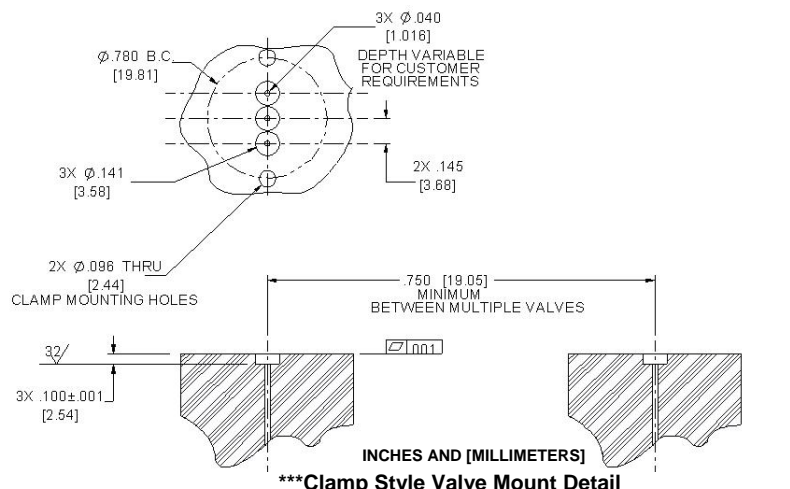


Valve illustrated with clamp mount and pin terminal style.

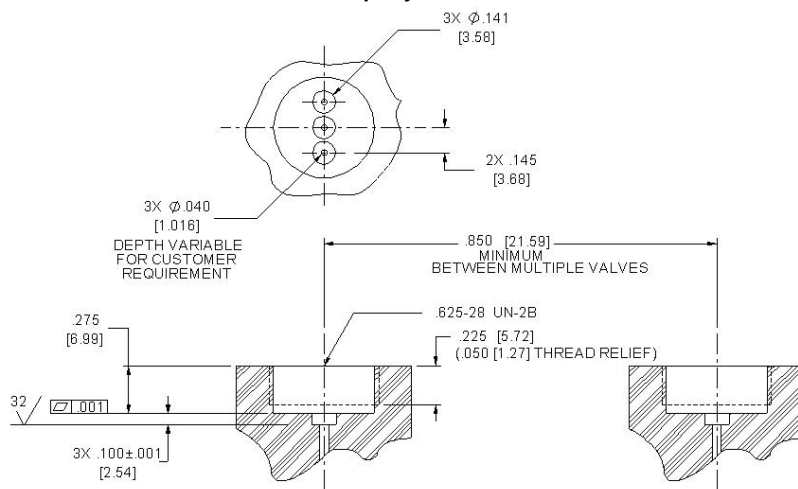
3-Way Mini-Solenoid Valve

Product Data Sheet

The 3-Way Mini-Solenoid Valve is a DC actuated isolation valve design that allows the user to switch between 2 port positions for flow path control. The valve consists of a Common port, a Normally Open Port, and a Normally Closed Port. Flow will travel through the 'Common' to the 'Normally Open' position while the coil is de-energized. When energized, flow will travel from the 'Common' to the 'Normally Closed' position.



***Clamp Style Valve Mount Detail



INCHES AND [MILLIMETERS]
Screw Style Valve Mount Detail

Physical

- Height 1.90" (without pins)
- Housing Diameter: .660"
- Mass: 35.2g

Environmental

- Operating Temperature of 10° to 60°C
- Operating Humidity of 5 to 95% RH, non-condensing at 60° C
- Storage Temperature of -25° to 85° C
- WEEE & RoHS compliant

Mechanical

- Orifice Diameter: .040"
- Internal Volume: 42ul
- Zero Dead Volume: No un-swept paths
- Rated Pressure: -Vacuum to 50psi
- Mount Style: Manifold Clamp / Knurled Screw
- Standard Pneumatic Flow: 1.4L/MIN (3 SCFH) minimum at -Vacuum.
- Initial Open Response Time: @40psi < 100ms @-Vacuum <500ms
- Typical Response Time: <50ms@ 40psi 2Hz
- Duty Cycle: 50% Sugg. Max Energize: 300s rated voltage.
- Valve life expectancy may vary with application. Consult Kloehn Engineering for additional information.

Interface and Power

24-Volt Option

Current: .16 amps
Power: 4.0 watts
Resistance: 144 ohms
Holding Voltage: 12-Volts
Terminals: 18" Wires or Pins

12-Volt Option

Current: .33 amps
Power: 4.0 watts
Resistance: 36 ohms
Holding Voltage: 6-Volts
Terminals: 18" Wires or Bronze Pins

Chemical

- Elastomer Diaphragm Options: EPDM, FKM, FFKM.
- Wetted Materials: Peek, Selected Diaphragm Material

* Standard valve specifications may be adjusted to desired operating parameters upon request (special).

** Vacuum pressure: -25inHg maximum at 2750ft elevation (1psia max).

***Mounting hardware is not supplied with standard 3-way Clamp Mount Design. Recommend 2-56 UNC-2B or M2 x0.4mm. Recommended 35 micron filtration

Standard 3-Way Mini-Solenoid Valve Selection Chart

Kloehn Part Number	Mount Design	Coil Terminal	Coil Voltage	Diaphragm
80844	Knurled Screw Design	Wires	24 Volts	EPDM
80845				FKM
80846				FFKM
80847			12 Volts	EPDM
80848				FKM
80849				FFKM
80850		Pins	24 Volts	EPDM
80851				FKM
80852				FFKM
80853			12 Volts	EPDM
80854				FKM
80855				FFKM
80856	Manifold Clamp Design	Wires	24 Volts	EPDM
80857				FKM
80859				FFKM
80859			12 Volts	EPDM
80860				FKM
80861				FFKM
80862		Pins	24 Volts	EPDM
80863				FKM
80864				FFKM
80865			12 Volts	EPDM
80866				FKM
80867				FFKM

