

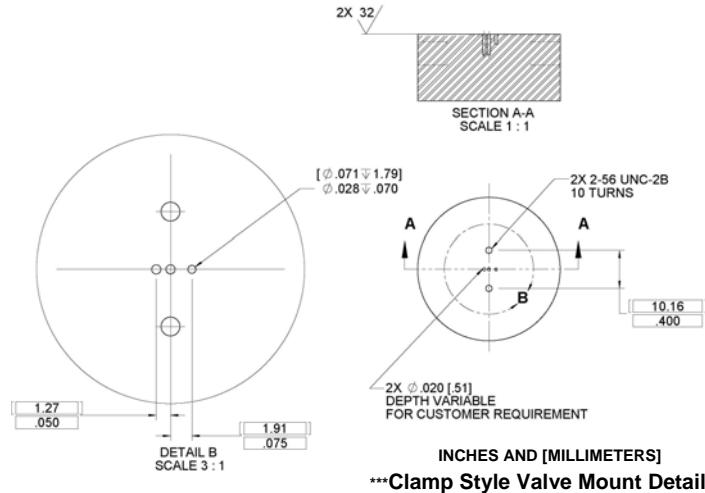


Valve illustrated with knurled screw mount and pin terminal style.

## 2-Way Micro-Mini-Solenoid Valve

### Product Data Sheet

The 2-Way Micro-Mini-Solenoid Valve is a DC actuated isolation valve design that allows the user to switch a single flow path on or off. The valve consists of an inlet and outlet port, which is in the closed position when the valve is de-energized.



### Physical

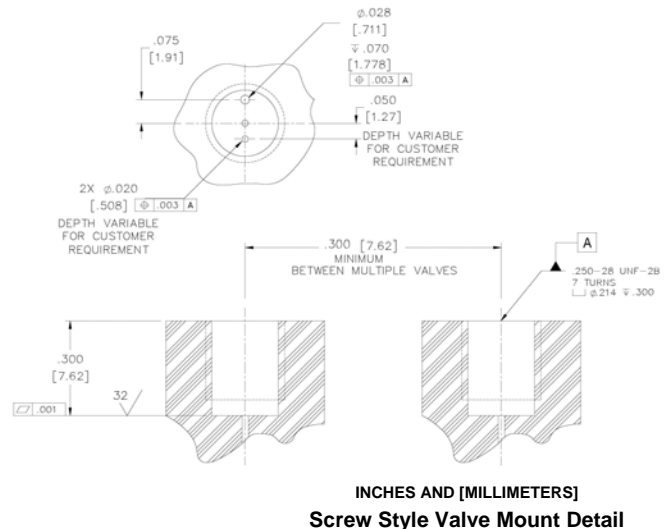
- Height 1.58" (without pins)
- Housing Diameter: .250"
- Mass: 5.25g

### Environmental

- Operating Temperature of 10° to 40°C
- Operating Humidity of 5 to 95% RH, non-condensing at 40° C
- Storage Temperature of -25° to 85° C

### Mechanical

- Orifice Diameter: .020"
- Internal Volume: 17ul
- Zero Dead Volume: No un-swept paths
- Rated Pressure: ±Vacuum to 20psi inlet N.C. port  
Vacuum to 30psi inlet common port
- Mount Style: Manifold Clamp / Knurled Screw
- Standard Pneumatic Flow: 1.75 SCHF at ±Vacuum.
- Standard Open Response Time: @20psi < 100ms  
@±Vacuum < 500ms
- Duty Cycle: 50% Sugg. Max Energize: 300s rated voltage.



### Interface and Power

24-Volt DC Option  
Current: .062 amps  
Power: 1.5 watts  
Resistance: 384 ohms  
Voltage: 10vdc  
Terminals: Pins

12-Volt DC Option  
Current: .125 amps  
Power: 1.5 watts  
Resistance: 96 ohms  
Holding Voltage: 5vdc  
Terminals: Pins

5-Volt DC Option  
Current: .300 amps  
Power: 1.5 watts  
Resistance: 17 ohms  
Holding Voltage: 3vdc  
Terminals: Pins

### Chemical

- Elastomer Diaphragm Options: EPDM, FKM, FFKM.
- Wetted Materials: Peek, Selected Diaphragm Material

- Standard valve specifications may be adjusted to desired operating parameters upon request (special).
- Vacuum pressure: -25inHg maximum at 2750ft elevation (1psia max).
- Mounting hardware is not supplied with standard 2-way Clamp Mount Design.  
Recommended 35 micron filtration

**Standard 2-Way Micro-Mini-Solenoid Valve Selection Chart**

Kloehn Part Number	Mount Design	Coil Terminal	Coil Voltage	Diaphragm
81024	Knurled Screw Design	Pins	5 Volts	EPDM
81027				FKM
81021				FFKM
81025			12 Volts	EPDM
81028				FKM
81022				FFKM
81026			24 Volts	EPDM
81029				FKM
81023				FFKM
81033	Manifold Clamp Design	Pins	5 Volts	EPDM
81036				FKM
81030				FFKM
81034			12 Volts	EPDM
81037				FKM
81031				FFKM
81035			24 Volts	EPDM
81038				FKM
81032				FFKM

