

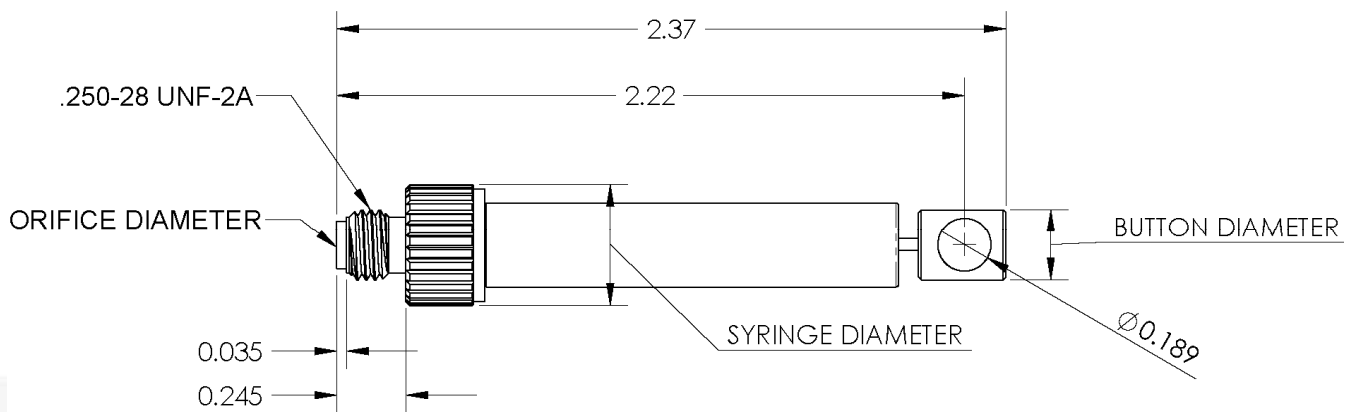


## Syringe V3 (3cm) Product Line

### Product Data Sheet

The V3 syringe line is designed to couple to a Versa 3 Syringe Pump and standard V3 valve assembly. These syringes are rated to 80 psi and typically used in various types of instruments and analyzers serving clinical, medical, and analytical instrumentation applications. An array of syringe volumes are available that can be dispensed and/or aspirated over a full 3cm stroke.

For additional custom modifications, see your Kloehn Sales Representative.



### Physical

- Length (Dispensed): 2.37"; (Aspirated): 3.55"
- Thread Type: ¼-28 UNF-2A
- Test Pressure: 80 psi

### Environmental

- Operating Temperature of 10° to 40°C
- Storage Temperature of -25° to 85°C
- Relative Humidity: Up to 100%

### Mechanical

Syringe Sizes	50ul	100ul	250ul	500ul	1.0ml	2.5ml	5.0ml
Orifice Diameter (in)	.023	.023	.031	.031	.073	.073	.073
Syringe(End Cap) Diameter (in)	0.43	0.43	0.43	0.43	0.43	0.56	0.72
Button Diameter (in)	0.25	0.25	0.25	0.25	0.3	0.3	0.3
*Max Drag Force (lbs)	PTFE	3.0	3.0	3.0	3.0	3.0	6.0
	UHMW	7.0	7.0	7.0	7.0	7.0	10.0

\*Add 1 pound drag force to non-lubricated plunger tip requests.

### Chemical

- Standard Syringe Seal: PTFE
- Wetted Materials: Borosilicate Glass, Kel-F, PTFE (or UHMW) (smaller sizes ZDV tips are Teflon coated 316L)
- Syringe tips lubricated with laboratory-grade Silicone

**Standard Syringes:**

<u>Size</u>	<u>Syringe Assy</u>	<u>ZDV Assy</u>	<u>Orifice Size</u>
50ul	23164	27960 *	0.023
100ul	23165	27961 *	0.023
250ul	23166	28006	0.031
500ul	23167	28007	0.031
1.0ml	23168	28008	0.073
2.5ml	23169	28009	0.073
5.0ml	23170	28010	0.073

Syringe construction:

- Syringes have Borosilicate glass, Teflon seal and tip wetted surfaces.
- Syringe part numbers followed by an asterisk (\*) have tips with PTFE coated stainless steel 316L wetted components.

**SP-K Syringes:**

<u>Size</u>	<u>Syringe Assy</u>	<u>ZDV Assy</u>	<u>Orifice Size</u>
50ul	24411	27958 *	0.023
100ul	24412	27959 *	0.023
250ul	24413	28011	0.031
500ul	24414	28012	0.031
1.0ml	24415	28013	0.073
2.5ml	24416	28014	0.073
5.0ml	24417	28015	0.073

Syringe construction:

- Syringes have Borosilicate glass, Teflon seal, and UHMW (B-1000 black) plunger tip wetted surfaces.
- Syringe part numbers followed by an asterisk (\*) have tips with PTFE coated stainless steel 316L wetted components.

