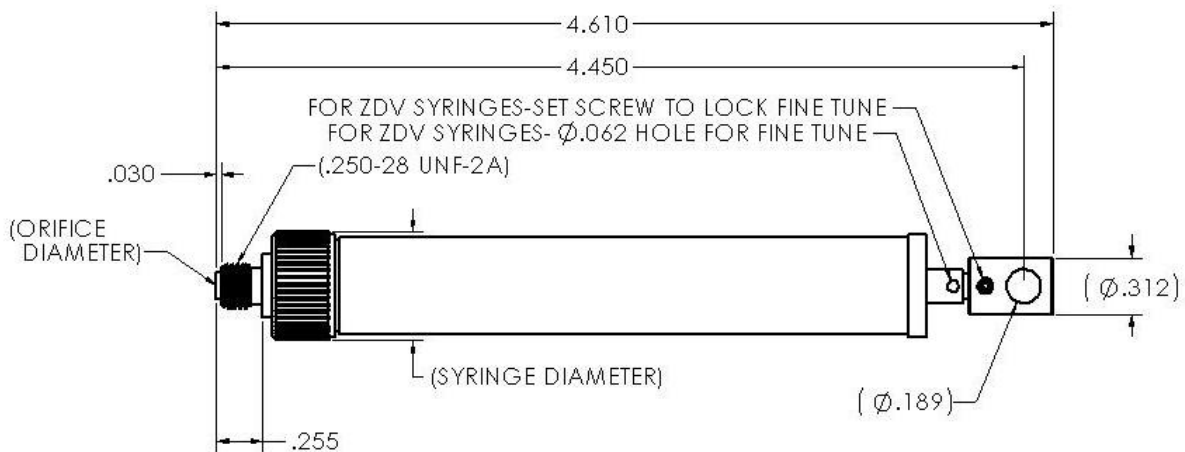


Syringe V6 Multi-Channel 55 Series Product Line

Product Data Sheet

The Syringe V6 Multi-Channel 55 Series line is designed to couple to a v6 Multi-Channel 55 Series Pump and standard valve assembly. A fine tuning design feature is incorporated in the Zero Dead Volume (ZDV) syringes for the 25ul to the 5.0ml. These syringes are typically used in various types of instruments and analyzers serving clinical, medical, and analytical instrumentation applications. An array of syringe volumes are available that can be dispensed and/or aspirated over a full 6cm stroke.

For additional custom modifications, see your Kloehn Sales Representative.



Physical

- Length (Dispensed): 4.610"
- Thread Type: 1/4-28 UNF-2A
- Test Pressure: 80 psi

Environmental

- Operating Temperature of 10° to 40°C
- Storage Temperature of -25° to 85°C
- Relative Humidity: Up to 100%

Mechanical

Syringe Sizes	25ul	50ul	100ul	250ul	500ul	1.0ml	1.25ml	2.5ml	5.0ml
Orifice Diameter (in)	.027	.024	.032	.039	.076	.076	.076	.076	.076
Syringe Diameter (in)	0.4	0.4	0.4	0.4	0.4	0.4	0.4	0.5	0.6
*Max Drag Force (lbs)	PTFE	3.0	3.0	3.0	3.0	3.0	3.0	3.0	6.0
	UHMW	7.0	7.0	7.0	7.0	7.0	7.0	7.0	10.0

*Add 1 pound drag force to non-lubricated plunger tip requests.

Chemical

- Standard Syringe Seal: PTFE
- Wetted Materials: Borosilicate Glass, Kel-F, PTFE (or UHMW) (smaller sizes ZDV tips are Teflon coated 316L)
- Syringe tips lubricated with laboratory-grade Silicone

Standard Teflon Syringe Assembly:

- Thread Type: ¼-28 UNF-2A
- Glass Type: Borosilicate glass
- Individually Boxed
- Fine Tuning Adjustment: Zero Dead Volume Only
- * Tip nose is 316L Stainless Steel Teflon coated

Size	Orifice	Standard Syringe	Zero Dead Volume (ZDV)
25ul	.016	29896	29898*
50ul	.024	29435	29856*
100ul	.032	29437	29858
250ul	.039	29439	29441
500ul	.076	29442	29443
1.0ml	.076	29447	29448
1.25ml	.076	29451	29450
2.5ml	.076	29454	29452
5.0ml	.076	29456	29458

UHMW-PE Syringe Assembly:

- Thread Type: ¼-28 UNF-2A
- Glass Type: Borosilicate glass
- Individually Boxed
- Fine Tuning Adjustment: Zero Dead Volume Only
- * Tip nose is 316L Stainless Steel Teflon coated

Size	Orifice	Standard Syringe	Zero Dead Volume (ZDV)
25ul	.016	29897	29899*
50ul	.024	29436	29857*
100ul	.032	29438	29859
250ul	.039	29440	29861
500ul	.076	29444	29863
1.0ml	.076	29445	29446
1.25ml	.076	29864	29449
2.5ml	.076	29455	29453
5.0ml	.076	29457	29459

