

Shown with valve option.

1000 Inline Pump Series

Product Data Sheet

The 1000 Pump Series is a syringe style design with inert wetted materials for micro fluid dispensing. It is a compact device that is offered with 20k full stroke resolution, a variety of syringe full dispense volumes, and a solenoid valve option. Mechanically, the syringe pump is driven via stepper motor and lead screw. The pump has an integrated home position sensor at the full dispense position. Additional features include a user friendly DB9 electrical connection interface.

Figure 1: Mounting Details
Inches [Millimeters]

Shown without valve option

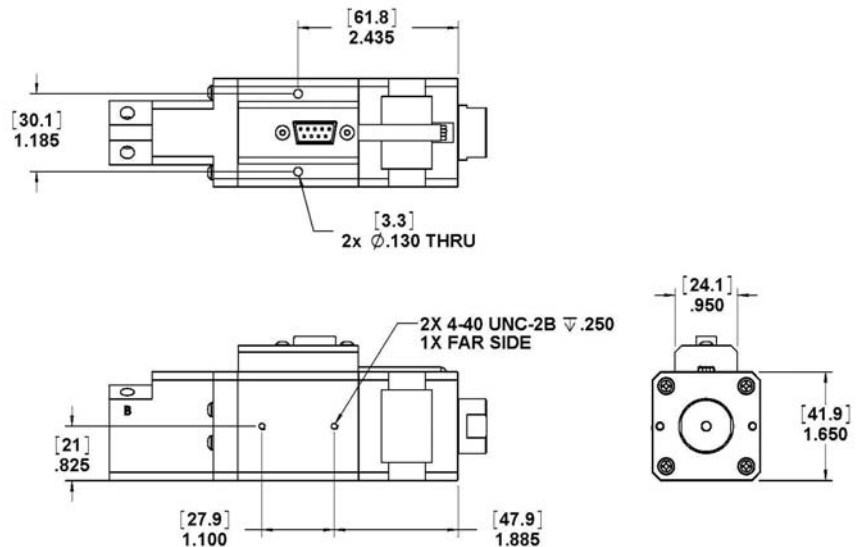
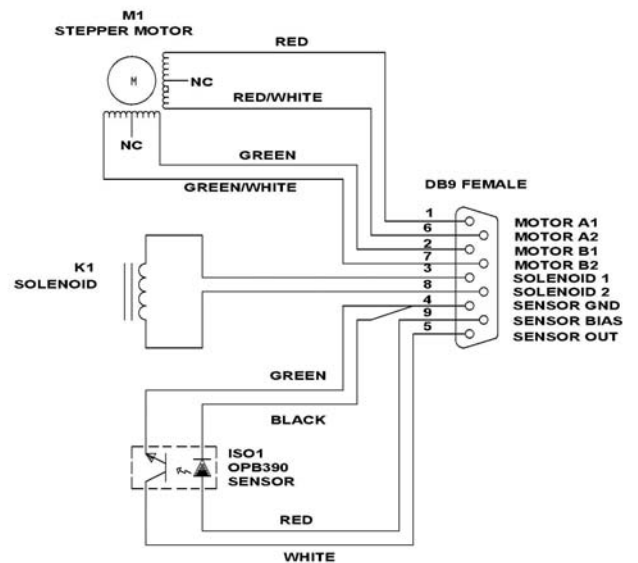


Figure 2: DB 9 Pinout



Physical

- Height 2.61"
- Width 1.63"
- Length 6.54" (with valve 8.92")
- Weight: up to 0.6kg

Environmental

- Operating temperature of 0° to 55° C (with valve 10° to 55°C)
- Operating humidity of 5 to 95% RH, non-condensing at 55° C
- Storage temperature of -25° to 85° C
- WEEE & RoHS compliant

Mechanical

- Operation in any orientation
- *Mounting Configuration (see Figure 1)
- .25-28 UNF – 2B Ports
- Motor: 1.8 Degree Full Step
- Resolution: 20,000 Half Steps
- Pressure: **VAC to 100 psig (50psig w/ valve option)
- Full Volume Dispense - 50ul to 1.0mL
- Valve Type Option – 2 way / 3 Port Solenoid Valve
- 1/10 Stroke Dispenses
Precision: 0.5% to 1% CV
Accuracy: 0.5% to 1% CV

Electrical Interface

- DB9 Female Connector (see Figure 2)
- Bipolar Solenoid (24v)
- Optical Sensor (OPB390)
- Nema 17 Stepper Motor (4 lead)
- CE Certified

Chemical

- Wetted Materials: PVDF, PTFE, Borosilicate
- Additional Wetted Materials (w/ valve option):FFKM, PEEK

Ancillary items:

- Operator's Manual P/N 30847; and FAQ

Part Number Matrix

Full Dispense Volume 20K Resolution (Half Step)	Syringe Type FFKM Valve & PVDF Manifold	Syringe Type No Valve & PVDF Manifold
50 µl		56264
100 µl	56261	56265
250 µl	56262	56266
500 µl	56263	56267
1.0 ml	56302	56303

* Mounting hardware is not supplied with standard 1000 series. Suggested hardware for thru hole mounting: Screw 4-40 SHCS L2.00" or M3 x 0.5 SHCS L50mm

** Vacuum pressure: -25inHg maximum at 2750ft elevation (1psia max).

Recommended 35 micron filtration w/ valve option.

